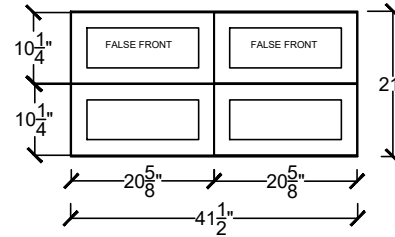
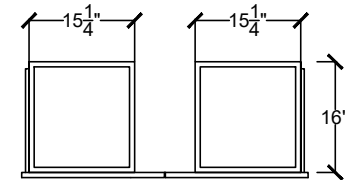


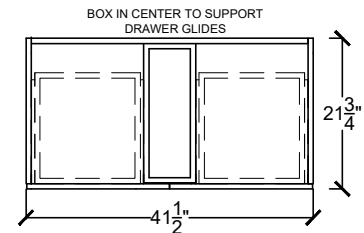
BRO 4222- \_\_\_\_\_ - \_\_\_\_\_ - \_\_\_\_\_



BRO 4222 2FF 2D- \_\_\_\_\_ - \_\_\_\_\_ - \_\_\_\_\_

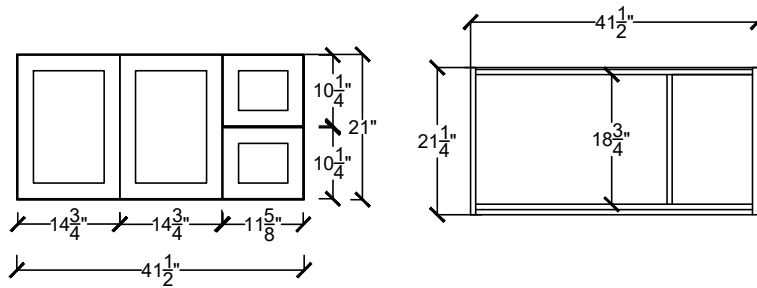


BOTTOM DRAWER BOX DETAIL

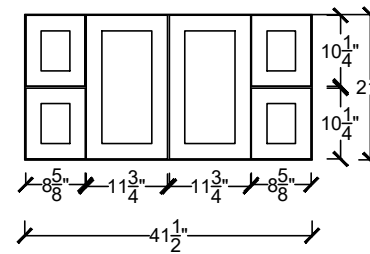


BOX IN CENTER TO SUPPORT  
DRAWER GLIDES

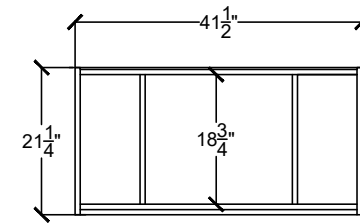
BOTTOM CABINET FLOOR DETAIL

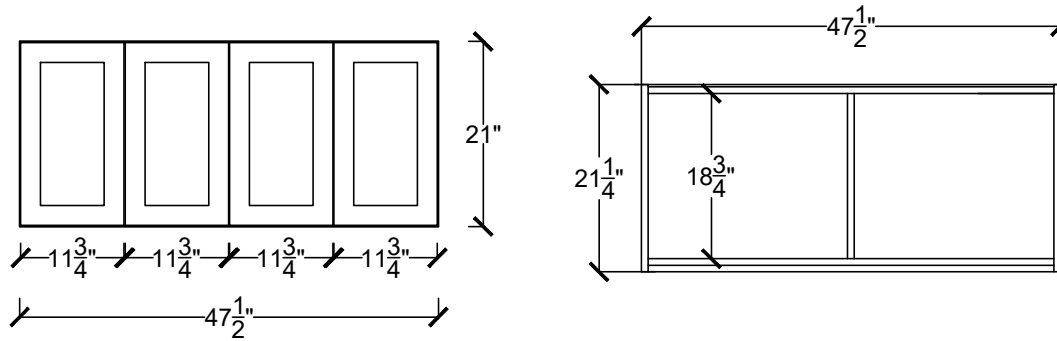


BRO 4222 2DR OR 2DL - \_\_\_\_\_ - \_\_\_\_\_ - \_\_\_\_\_

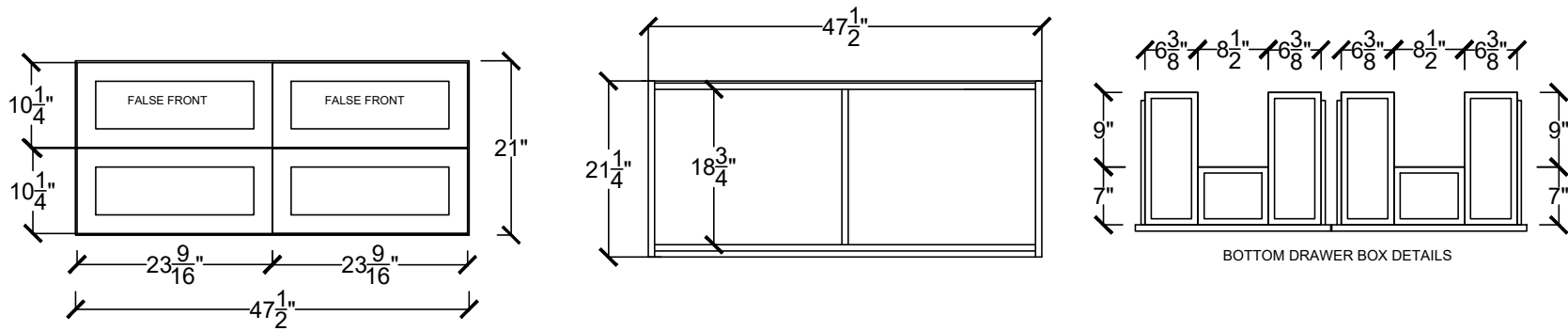


BRO 4222 4D R & L - \_\_\_\_\_ - \_\_\_\_\_ - \_\_\_\_\_

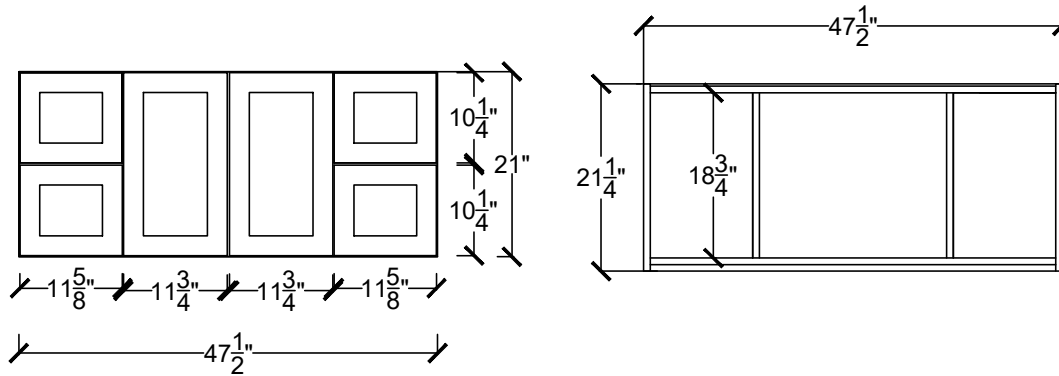




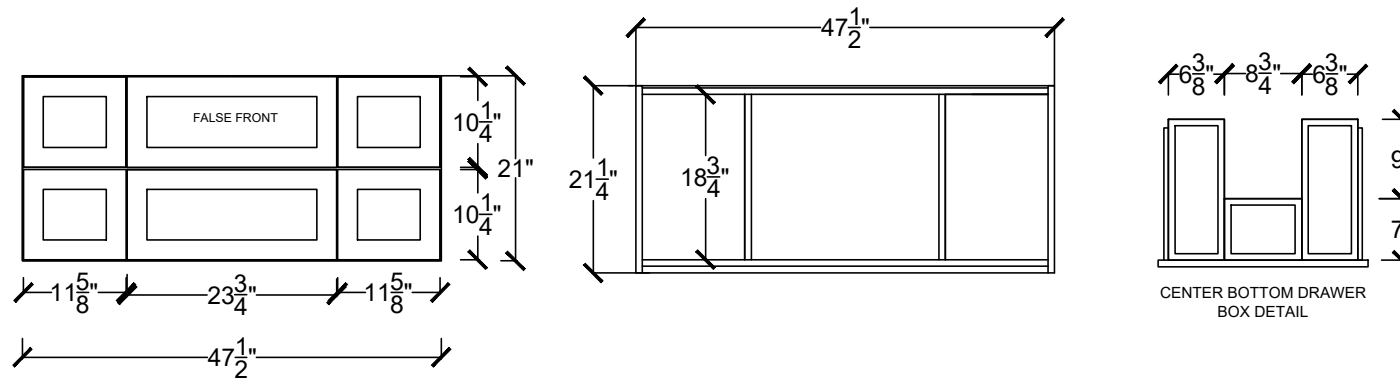
BRO 4822- \_\_\_\_\_ - \_\_\_\_\_ - \_\_\_\_\_



BRO 4822 2FF 2U- \_\_\_\_\_ - \_\_\_\_\_ - \_\_\_\_\_



BRO 4822 4D R & L - \_\_\_\_\_ - \_\_\_\_\_ - \_\_\_\_\_



BRO 4822 4D 1U - \_\_\_\_\_ - \_\_\_\_\_ - \_\_\_\_\_